

Board Cameras



Board Cameras



Pinhole Cameras

JCC-916HB

1/3" Color Board Camera with Metal Casing

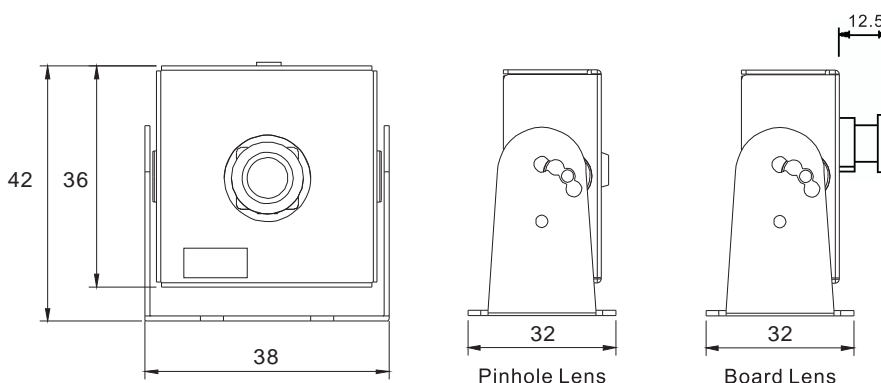
JCC-916HNB

1/3" Hi-Res. Color Board Camera with Metal Casing

Specification

Model	JCC-916HB	JCC916HNB
Pick Up Element	1/3" Sony Super HAD CCD Sensor	
Picture Element	NTSC : 510(H) x 492(V) ; PAL : 500(H) x 582(V)	
Horizontal Frequency	NTSC: 15.750 KHz., PAL: 15.625 KHz.	
Vertical Frequency	NTSC: 60 Hz., PAL: 50 Hz	
Synchronization	Internal	
Scanning System	2 : 1 Interlace	
Resolution	Horizontal 380 TV Lines	Horizontal 470 TV Lines
Sensitivity	0.2 Lux @F2.0	0.4 Lux @F2.0
S/N Ratio	More than 48 dB (AGC Off)	
Gain Control	AGC High/Low Adjustable	
Electronic Shutter	Auto: 1/60(50) sec. ~ 1/100,000 sec.	
White Balance	Auto White Balance (AWB) - 2500 ~ 9500 K	
Video Output	1.0 Vp-p Composite Video Output; 75 Ohms	
Lens Built-in	3.6mm/F2.0 Board Lens	
Operating Temperature	- 10 ~ + 50 degree / RH 85% or Less	
Power Consumption	Max. 1.2 W	
Power Supply	DC 12V	
Dimension	38mm x 42mm x 32mm	
Weight	180 grams	
Optional Lens		
Board Lens	2.5mm, 6.0mm, 8.0mm, 12.0mm, 16.0mm/F2.0 Board Lens	
Pinhole Lens	3.7mm/F2.0 or 4.3mm/F2.0 Pinhole Lens	

Dimensions



PTZ Speed Domes
Network Solutions
Dome Cameras
Board Cameras
Day/Night Cameras
Box Cameras

CCTV Equipment, Digital Storage & Network Solutions